

*Who is Arch  
Environmental?*

\*manufacturer and worldwide distributor of preferred bulk conveyor components since 1975

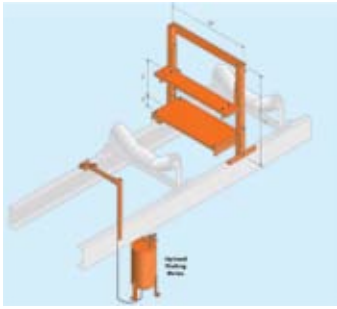
**Mechanical Division**

*Belt Cleaners • Belt Alignment • Sealing Systems • Dust Control Systems • Impact/Slider Systems*

**Electrical Division**

*Belt Scales • Metal Detectors • Pull Cord Switches • Belt Protection Devices • Conveyor Control Systems*

\*facilities include a fabrication shop, a CNC machine shop, and state-of-the-art urethane production



Single, field replaceable microprocessor-based controls are simple to service & maintain with interchangeable boards.

Can be tuned to ignore conductive or magnetic ores, such as magnetite and pyrite, even when carried by high-tension, steel cord belts.

Available in any belt width.

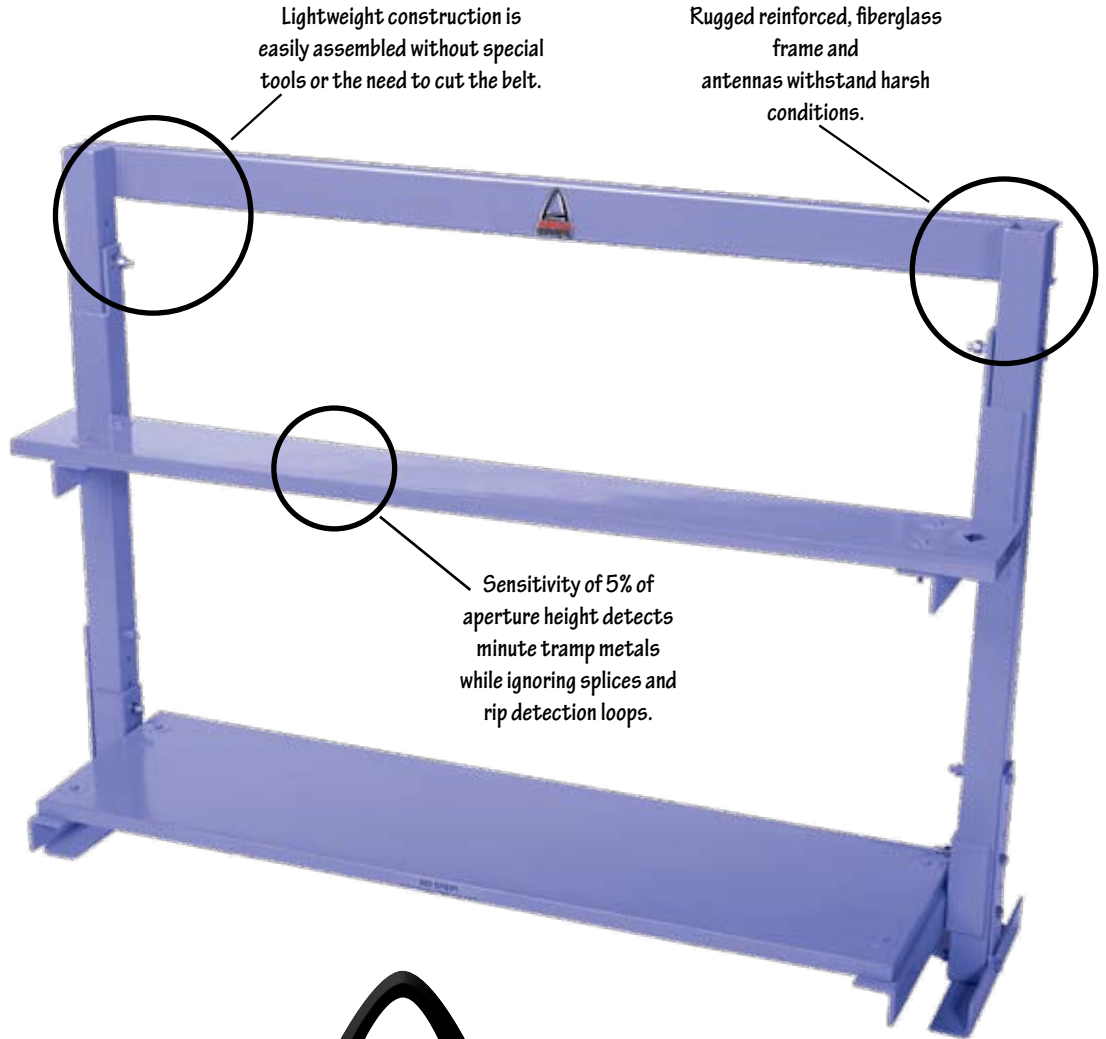
Can be field adjusted to fit most standard conveyor configurations.

Model EMT 50 also available as a flat-pack, under-belt style detector.

Typical Applications:

- Aggregate
- Asphalt
- Mining
- Wood Chip
- Waste Wood

# ARCH EMT50 METAL DETECTOR



Lightweight construction is easily assembled without special tools or the need to cut the belt.

Rugged reinforced, fiberglass frame and antennas withstand harsh conditions.

Sensitivity of 5% of aperture height detects minute tramp metals while ignoring splices and rip detection loops.

**(Conveying Confidence from Tail to Head)**

- |                            |   |
|----------------------------|---|
| <b>EZ Installation</b>     | ✓ |
| <b>Low Maintenance</b>     | ✓ |
| <b>Corrosion Resistant</b> | ✓ |
| <b>Fast Delivery</b>       | ✓ |
| <b>3-Year Warranty</b>     | ✓ |



**ARCH**  
**ENVIRONMENTAL**  
**EQUIPMENT, INC.**

CONVEYOR EFFICIENCY SPECIALISTS

800-553-4567

www.archenv.com



# ARCH EMT50 METAL DETECTOR

## Features & Benefits

- Single, Field Replaceable, Microprocessor based controls: Simple to service & maintain with interchangeable boards
- 32 digit LED display with bar graph for metal signal indication: Easy to read and operate
- Self Test circuit with Fault Alarm indication: Simplifies troubleshooting by automatically diagnosing problem
- Function, Metal and Fault indication LEDs: Ensures you always know the status of your metal detector
- EEPROM Stored system parameters: System settings can be swapped between boards, no need to re-program
- 3-level password protection: Prevents unauthorized access to key settings and functions
- Adjustable Frequency: Frequency adjustment can eliminate airborne interference from motors, CB radios, and other external sources
- Rugged Fiberglass Reinforced Plastic frame & Antennas: Able to withstand the harshest environments
- Three year warranty: Ensures long life of reliable service
- Swing away Transmitter Antenna with optional roughing guard: Reduces the likelihood of damage from large lumps and over-burdens
- Optional RS232 / RS485 serial link to PC with "Event" logbook & time stamp: Tracks metal detector performance and allows output to a PC for data analysis and archiving

## Why Arch Environmental?

Keeping production up and running is essential to your operation. Equipment damage caused by tramp metal not only costs you time and money in replacing damaged equipment, but most importantly it costs you production time. Arch Metal Detectors are designed to protect expensive crushers, grinders, saws and other downstream equipment from metallic contaminants while minimizing false trips.

## Product Specifications

Specifications	Values
Sensitivity	5% of Aperture height
Electronics	Field replaceable Microprocessor based
Enclosure	NEMA 4 (IP65) standard (NEMA 4X, 7, 9 available)
Interconnecting Cable	25 feet (7.6m) standard
Construction	Fiberglass Reinforced Plastic frame with reinforced fiberglass antennas.
Input Voltage	110/220 VAC, 1ph, 50/60Hz
Power Required	No Output Load – 35 Watts Max. Output Load – 990 Watts
Outputs	Direct Output (Metal Detect) – Dry Contact (SPDT) Rated 250VAC, 3A Timed Output (Metal Detect) – Dry Contact (SPDT) Rated 250VAC, 3A Fault Output – Dry Contact (SPDT) Rated 250VAC, 3A
Operating Temperature	14° to 120°F (-10° to +50°C) (Extended temperature ranges available on request)

## Product Drawing

Letter	Dimensions
H	S + R + 13"
R	3" to 12"
S	Max. Burden H + 4"
W	Belt Width + 10"

All dimensions in inches

